

INSTALLATION INSTRUCTIONS

PRO-SERIES FRONT BUMPER



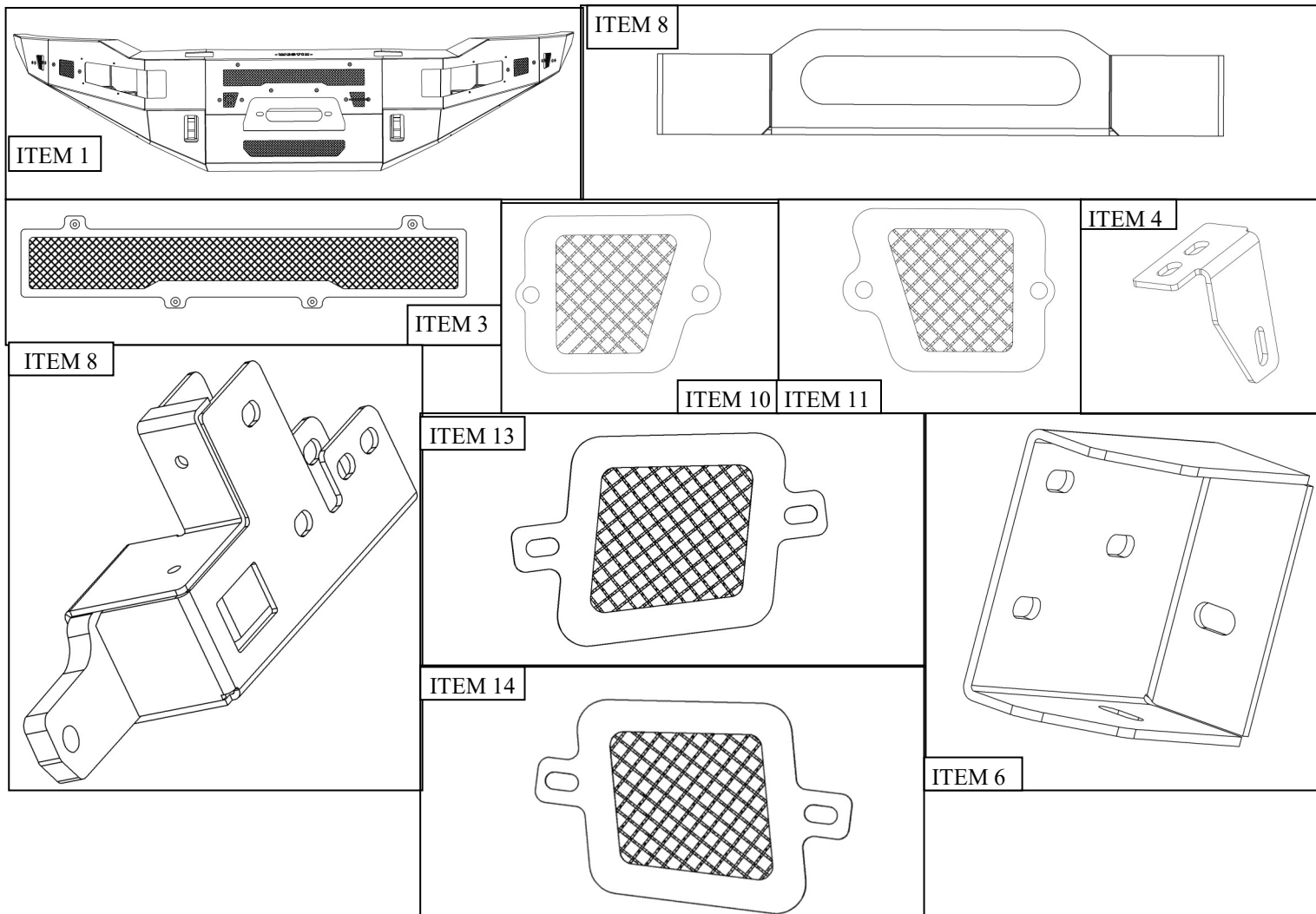
APPLICATION:
2019 –2021 Dodge Ram 2500/3500
PART NUMBER:
58-411235

CONTENT			
TEM	QUANTITY	DESCRIPTION	TOOLS NEEDED
1	1	PRO-SERIES FRONT BUMPER	10MM SOCKET
2	1	WINCH TRAY	10MM WRENCH
3	1	LED COVER	17MM SOCKET
4	1	LED DRIVER BRACKET	17MM WRENCH
5	1	LED PASSENGER BRACKET	19MM SOCKET
6	1	BUMPER DRIVER BRACKET	19MM WRENCH
7	1	BUMPER PASSENGER BRACKET	RATCHET
8	1	TRAY DRIVER BRACKET	TORQUE WRENCH
9	1	TRAY PASSENGER BRACKET	TAPE MEASURE
10	2	SENSOR PLATE A	ALLEN
11	4	SENSOR PLATE B	
12	2	SENSOR WIRING HARNESS	
13	1	MESH COVER A	
14	1	MESH COVER B	
15	4	M10 HEX BOLT	
16	4	M10 SERRATED FLANGE NUTS	
17	4	M10 FLAT WASHER	
18	6	M12 SERRATED FLANGE NUT	
19	14	M12 HEX BOLT	
20	8	M12 SPLIT LOCK WASHER	
21	14	M12 FLAT WASHER	
22	4	M6 HEX HEAD BOLT	
23	8	M6 FLAT WASHER	
24	20	M6 SERRATED FLANGE NUT	
25	16	M6 COUNTERSUNK BOLT	

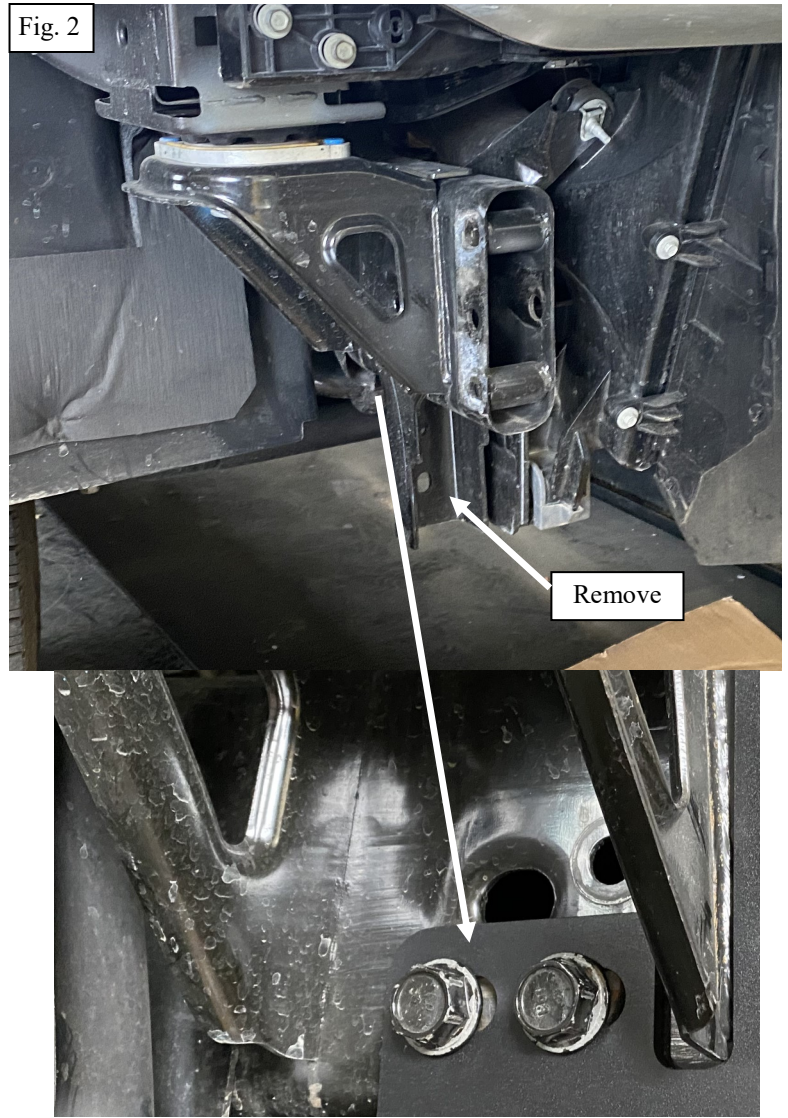
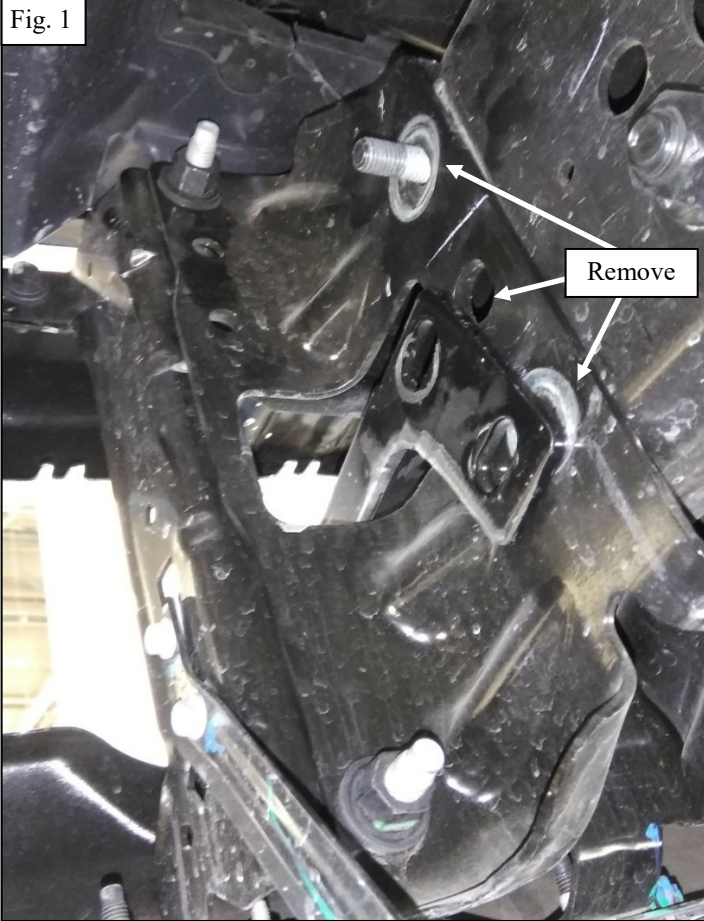
ANTI-SEIZE LUBRICANT MUST BE USED ON ALL STAINLESS STEEL FASTENERS TO PREVENT THREAD DAMAGE AND GALLING

PROCEDURE

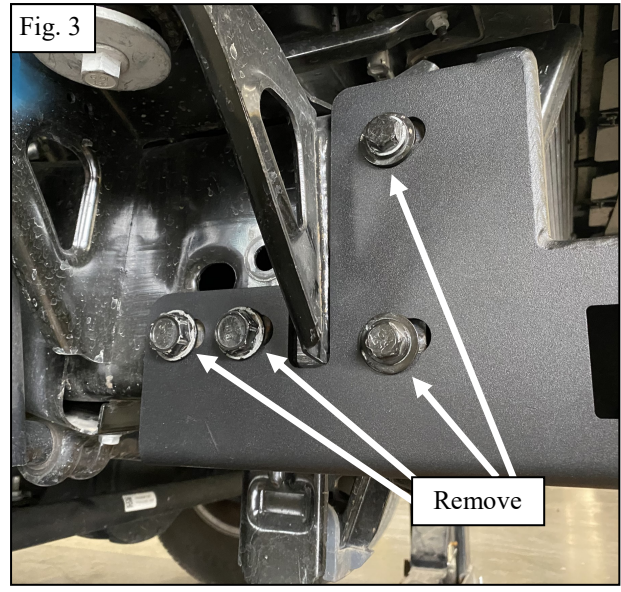
1. Remove contents from box, verify if all parts listed are present and free from damage.
Carefully read and understand all instructions before attempting installation.
Failure to identify damage before installation could lead to a rejection of any claim.



2. Start below the front of the vehicle. Unbolt the two factory bolts (three if tow hooks are equipped) from the bumper bracket on each side. **See Figure 1**
3. Unbolt the rear factory support plate seen in **Figure 2** by removing the two ear lower bolts.



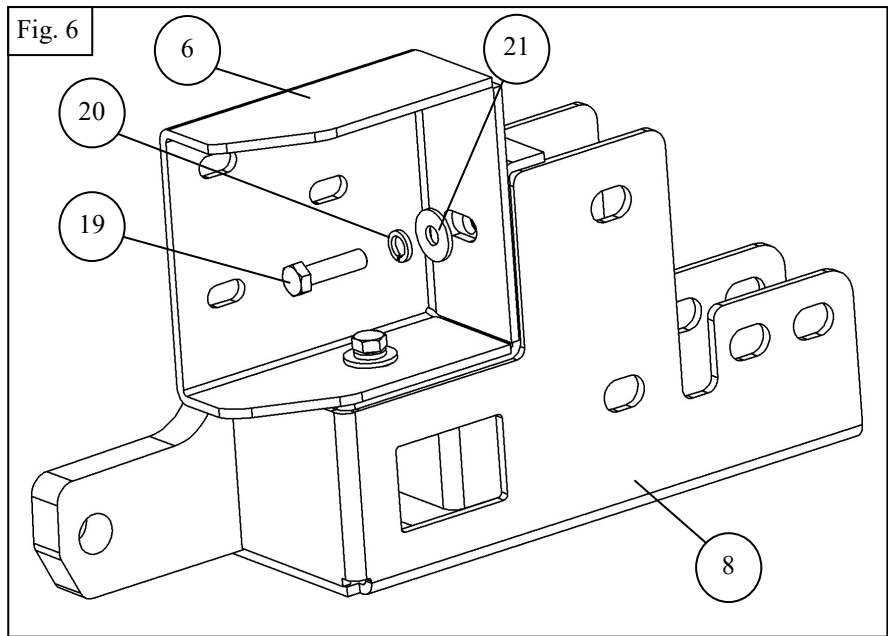
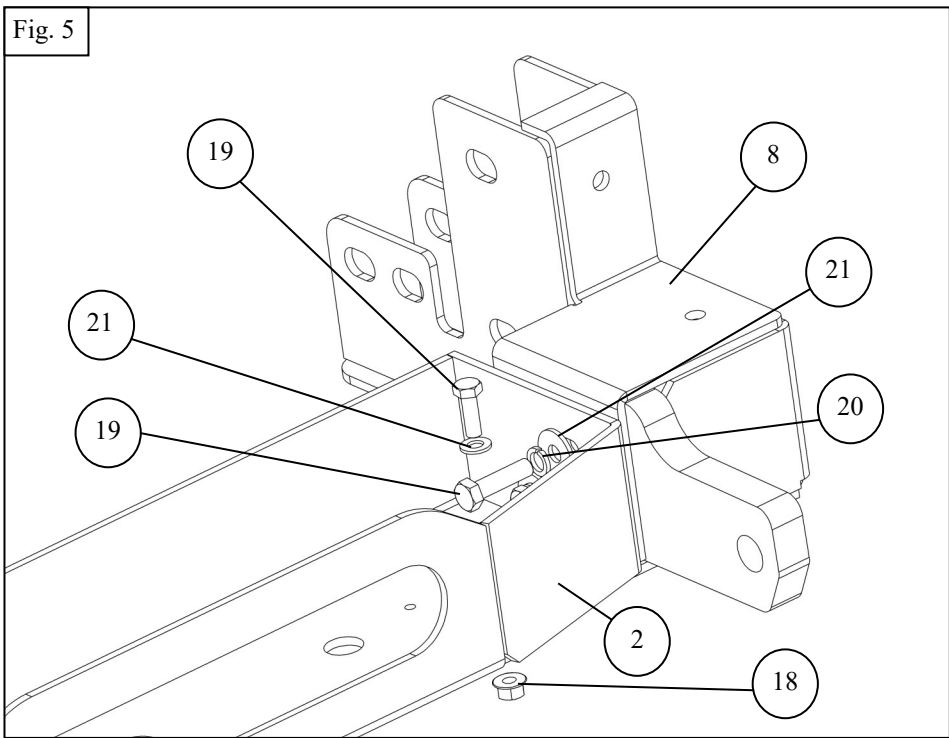
3. Unplug all lights and wiring and remove the bumper.
4. Locate the tray brackets. Re-using Factory hardware, loosely install the tray brackets to the frame. **See Figures 3-4**



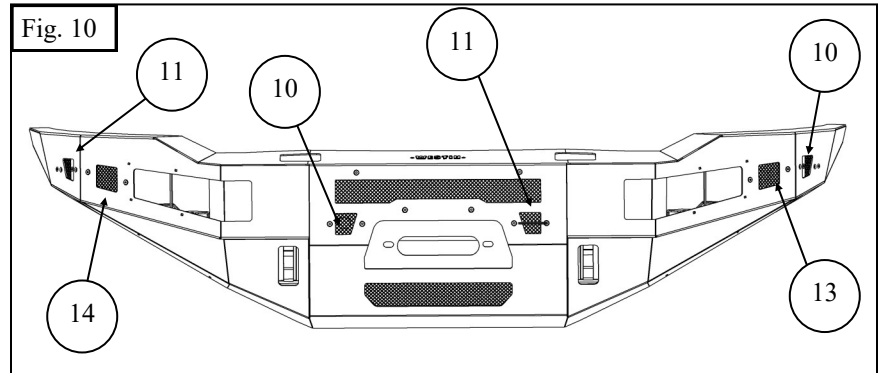
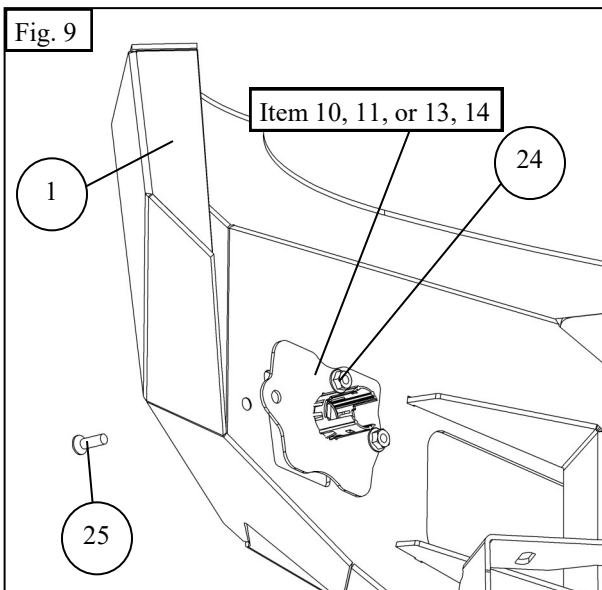
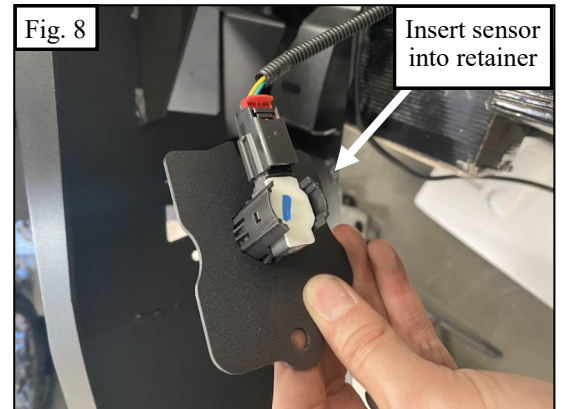
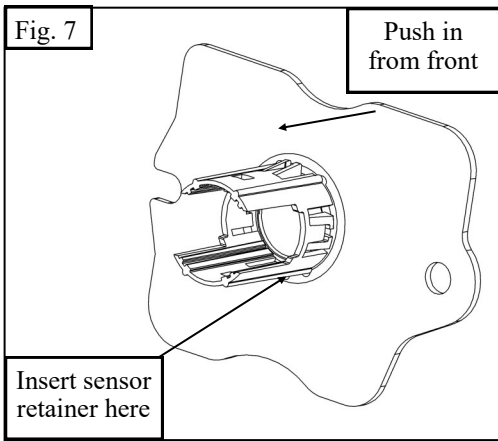
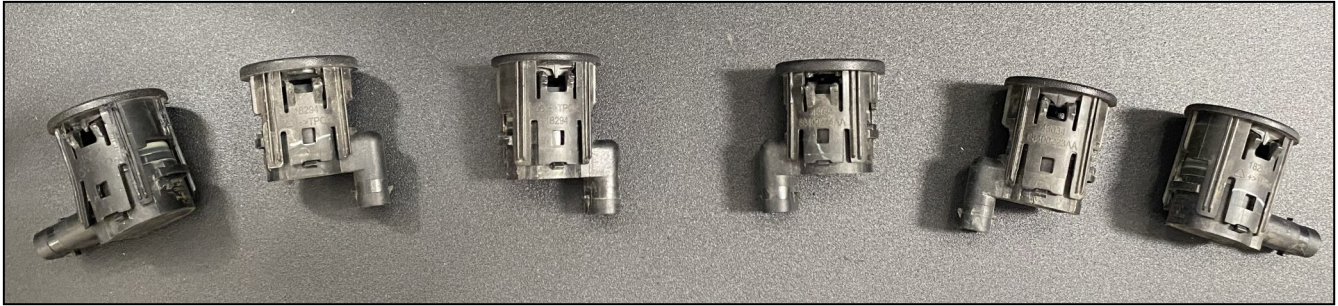
WESTIN Westin Automotive Products, Inc.
 320 W. Covina Blvd
 San Dimas, Ca. 91773

Thank you for choosing Westin products
 for additional installation assistance please call
 Customer Service (800) 793-7846
www.westinautomotive.com
 DATE: 04/06/2021

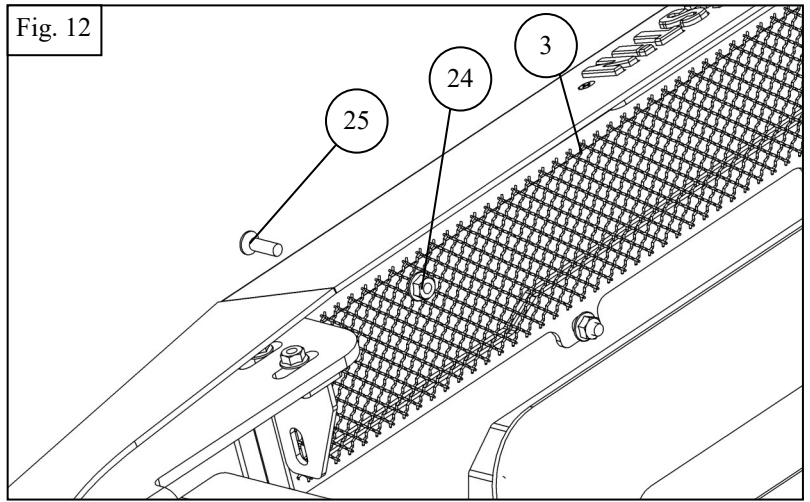
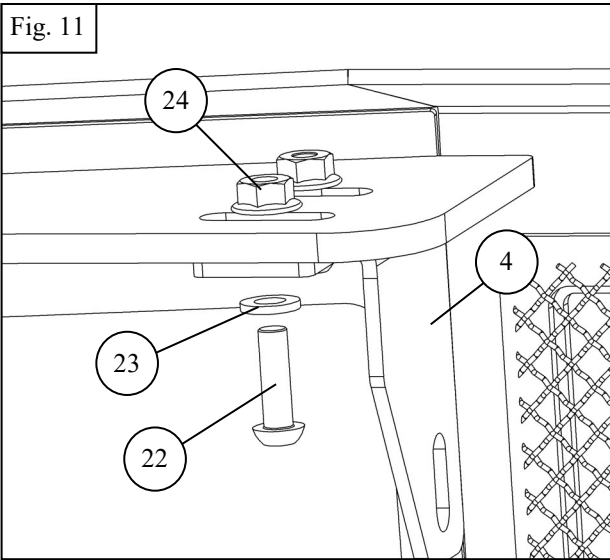
- 5. Using supplied M12 hardware, loosely assemble the winch tray to the tray brackets. **See Figure 5**
- 6. Using supplied M12 hardware, loosely assemble the main mounting brackets to the winch tray brackets. **See Figure 6**



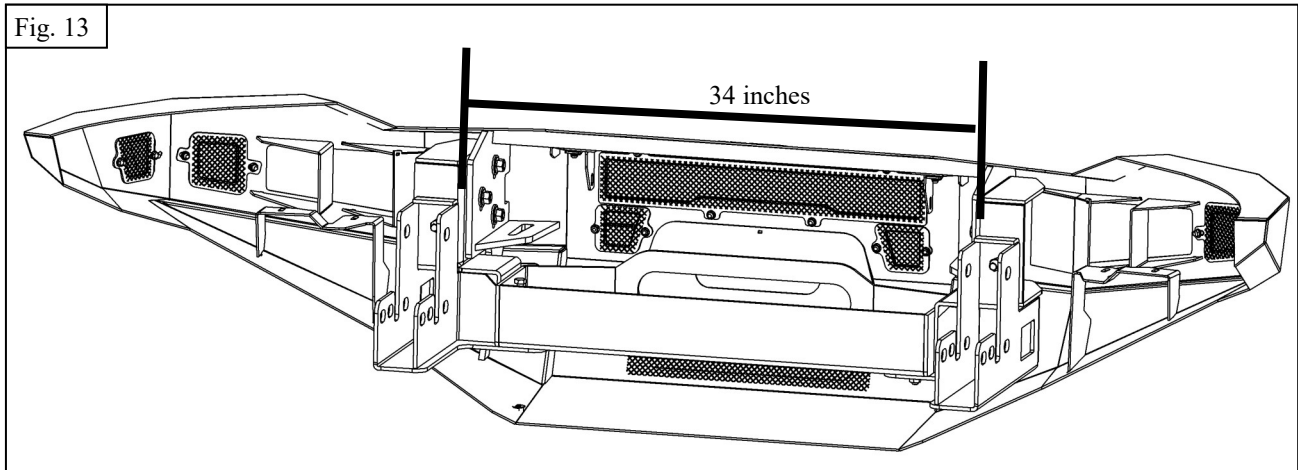
7. If using sensors, install the optional sensor plates where the corner mesh covers are. (M6 hardware)
8. Remove the sensors and retainers from the stock bumper. Using the provided wire extension harness, install the factory sensor retainer into each of the sensor plates **from the front**. **Note: Ensure to install sensors in the same orientation you removed them.** See Figure 7-10
9. **If you are not installing sensors**– Install mesh covers A and B using supplied M6 hardware. See Figure 10



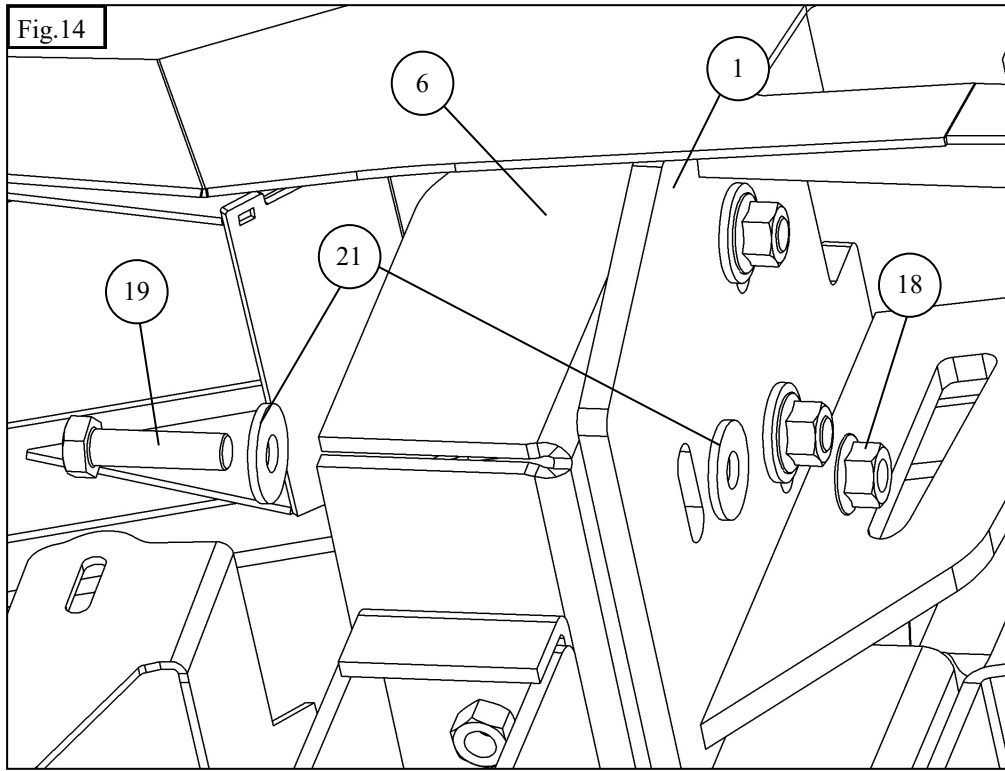
10. Install the led light mesh cover using supplied M6 hardware. See Figure 11
11. If installing a light bar, install using the supplied LED light brackets and supplied M6 hardware, if applicable. Install light per manufacturers recommendation. See Figure 12
12. If using light pods, install at this time.



13. Measure the inner distance of the main mounting brackets. Make sure the distance matches the outer distance on the bumper mounting locations. (about 34 inches) See **Figure 13**



14. With help, mount the bumper to the mounting brackets using supplied M12 hardware. **See Figure 14**
15. Adjust as needed and torque all hardware as specified: M6 to 7 ft. lbs, M12 to 55-60 ft-lbs.



INSTALLATION COMPLETE



CARE INSTRUCTIONS

- REGULAR WAXING IS RECOMMENDED. DO NOT USE ANY TYPE OF POLISH OR WAX THAT MAY CONTAIN ABRASIVES.
- STAINLESS STEEL PRODUCTS CAN BE CLEANED WITH MILD SOAP AND WATER. STAINLESS STEEL POLISH SHOULD BE USED TO POLISH SMALL SCRATCHES.
- GLOSS BLACK FINISHES SHOULD BE CLEANED WITH MILD SOAP AND WATER.

WESTIN Westin Automotive Products, Inc.
320 W. Covina Blvd
San Dimas, Ca. 91773

P.N.: 75-58411235-RevA

ECO #: W20-0108

8

Thank you for choosing Westin products
for additional installation assistance please call
Customer Service (800) 793-7846
www.westinautomotive.com

DATE: 04/06/2021



WARNING



Failure to follow these instructions could lead to death, personal injury, and / or property damage.

Failure to follow these instructions could lead to death, personal injury, and / or property damage.

FASTENERS:

All Westin supplied fasteners must be utilized and installed in accordance with the installation instructions and apply torque to the specifications as defined. **DOUBLE CHECK ALL FASTENERS BEFORE INITIAL USE, AND PERIODICALLY IN THE FUTURE TO ENSURE PROPER FUNCTION AND SAFETY.**

DRILLING:

Most Westin products do not require drilling for installation. If drilling is defined as required, use caution when drilling a vehicle. **FAILURE TO REVIEW AN AREA TO BE DRILLED MAY RESULT IN PERSONAL INJURY AND/OR INJURY TO OTHERS AS WELL AS VEHICLE DAMAGE.**

EYE PROTECTION:

ALWAYS WEAR SAFETY GLASSES OR GOGGLES DURING THE INSTALLATION PROCESS TO AVOID PERSONAL INJURY.

MAXIMUM TOWING/CARRYING CAPACITY: (if applicable)

The Westin Receiver Hitches will have a visible tow rating label affixed directly on the product. User should never exceed the vehicle manufacturers maximum tow and weight rating regardless of the capacity of the hitch. **FAILURE TO FOLLOW THESE GUIDELINES WILL VOID THE WESTIN WARRANTY AND MAY RESULT IN PERSONAL INJURY AND/OR INJURY TO OTHERS AS WELL AS VEHICLE DAMAGE.**

FOR CALIFORNIA RESIDENTS ONLY-PROP 65 WARNING:

Some products may contain chemicals such as DEHP, which can cause cancer, birth defects or other reproductive harm. For more info go to www.p65warnings.ca.gov



Westin Automotive Products, Inc.
320 W. Covina Blvd
San Dimas, Ca. 91773